

General Setup Instructions

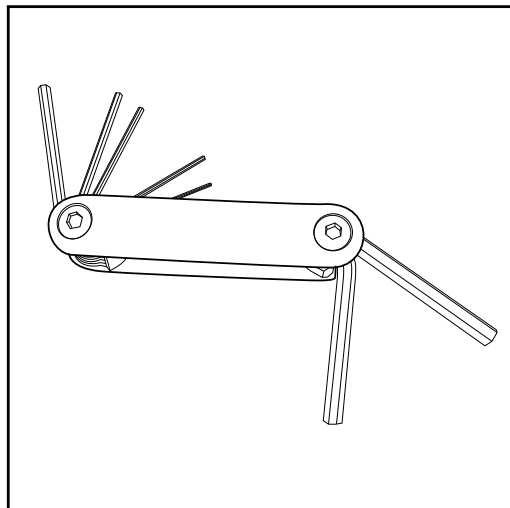
- Read entire setup instruction manual prior to unpacking parts and pieces.
- The setup instructions are created specifically for this configuration.
- Setup instructions are laid out sequentially in steps, including exploded views with detailed explanation for assembly.

Cleaning & Packing

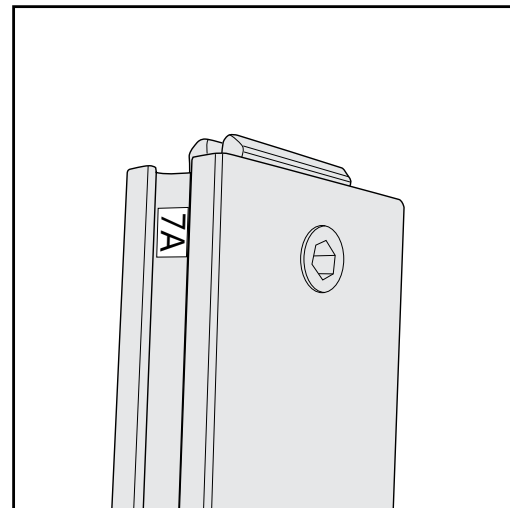
- For Cleaning Metal, Plex, & Laminate Parts: Use a **MILD NON-ABRASIVE** cleanser and soft cloth/paper towel to clean all surfaces.
- Keep exhibit components away from heat and prolonged sun exposure.
Heat and UV exposure will warp and fade components.
- Retain all provided Packing Materials. All provided packing materials are for ease of repacking & component protection.

Disassembly

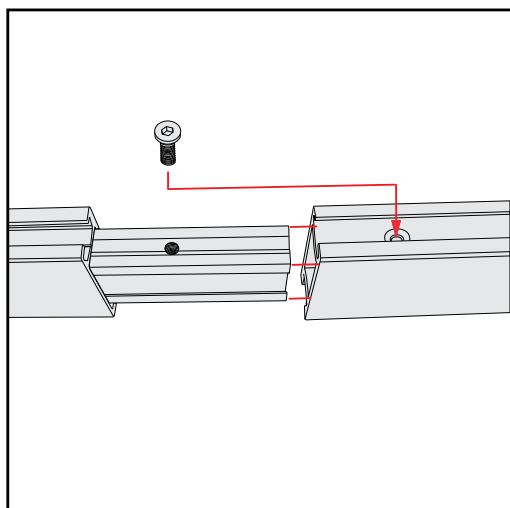
- For loss prevention, tighten all setscrews and locks during disassembly



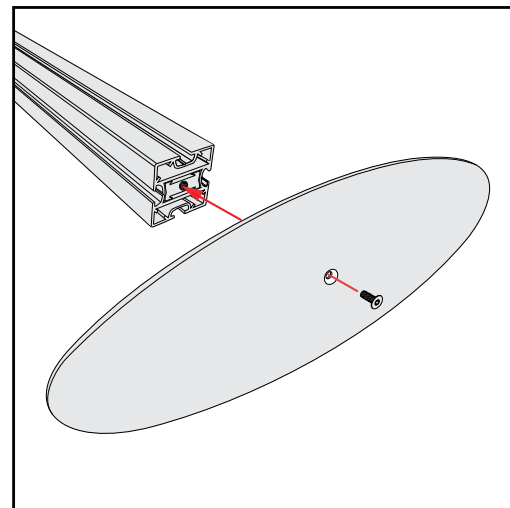
Hex Tool - Essential for Assembly



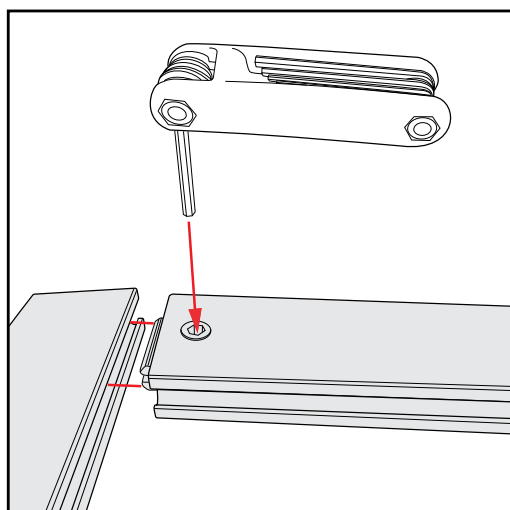
Part Identification - Numbering



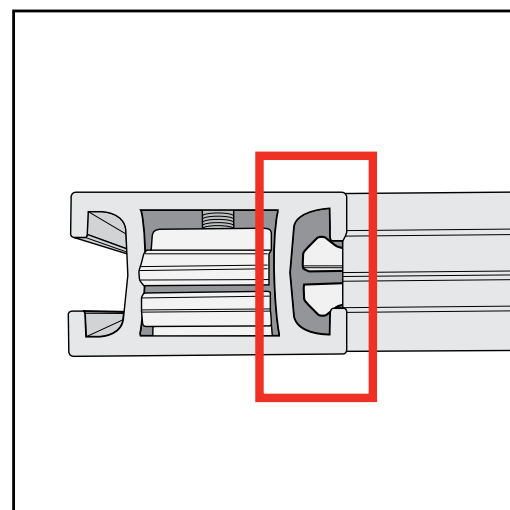
Spline Connection



Base Plate & Extrusion Connection



Extrusion & Lock Connection



Engaged Lock



WARNING



DO NOT USE POWER TOOLS



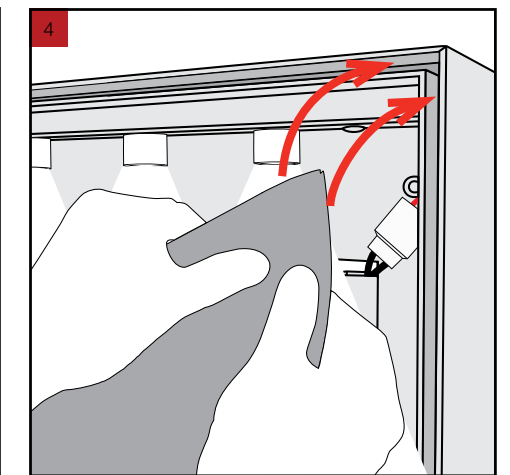
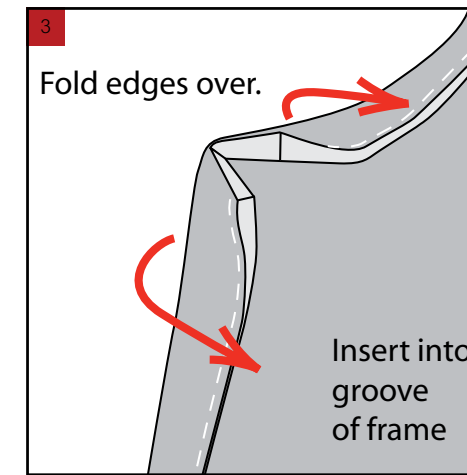
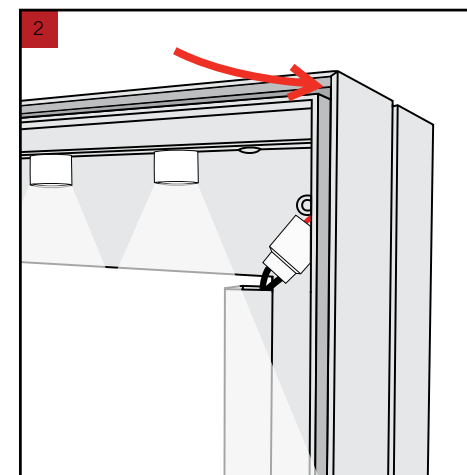
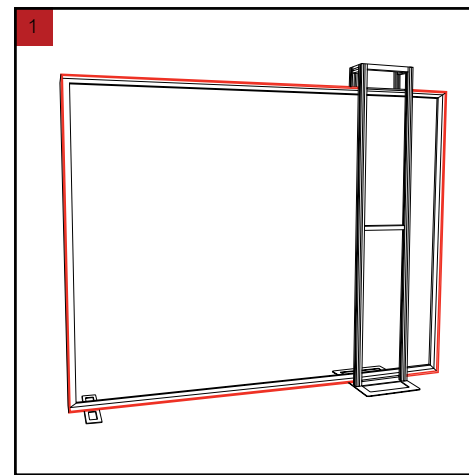
LADDERS OR LIFTS
MAY BE REQUIRED



ALL CONNECTIONS MUST
BE TIGHTLY SECURED

SEG Graphic Installation

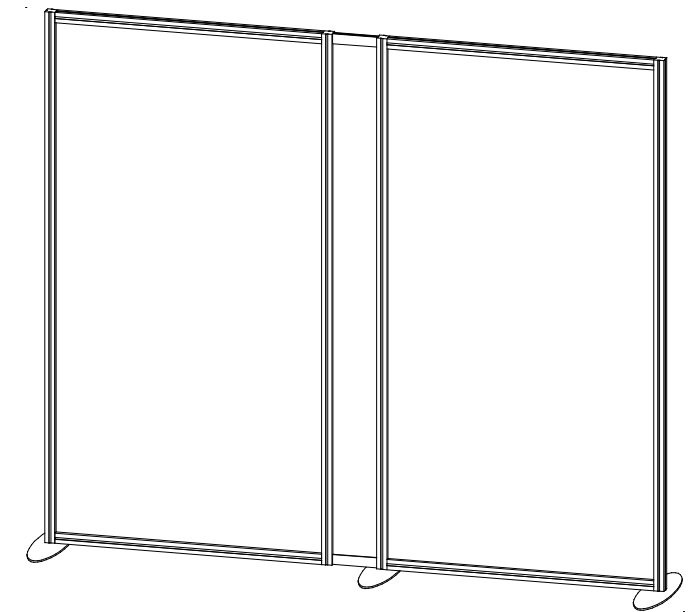
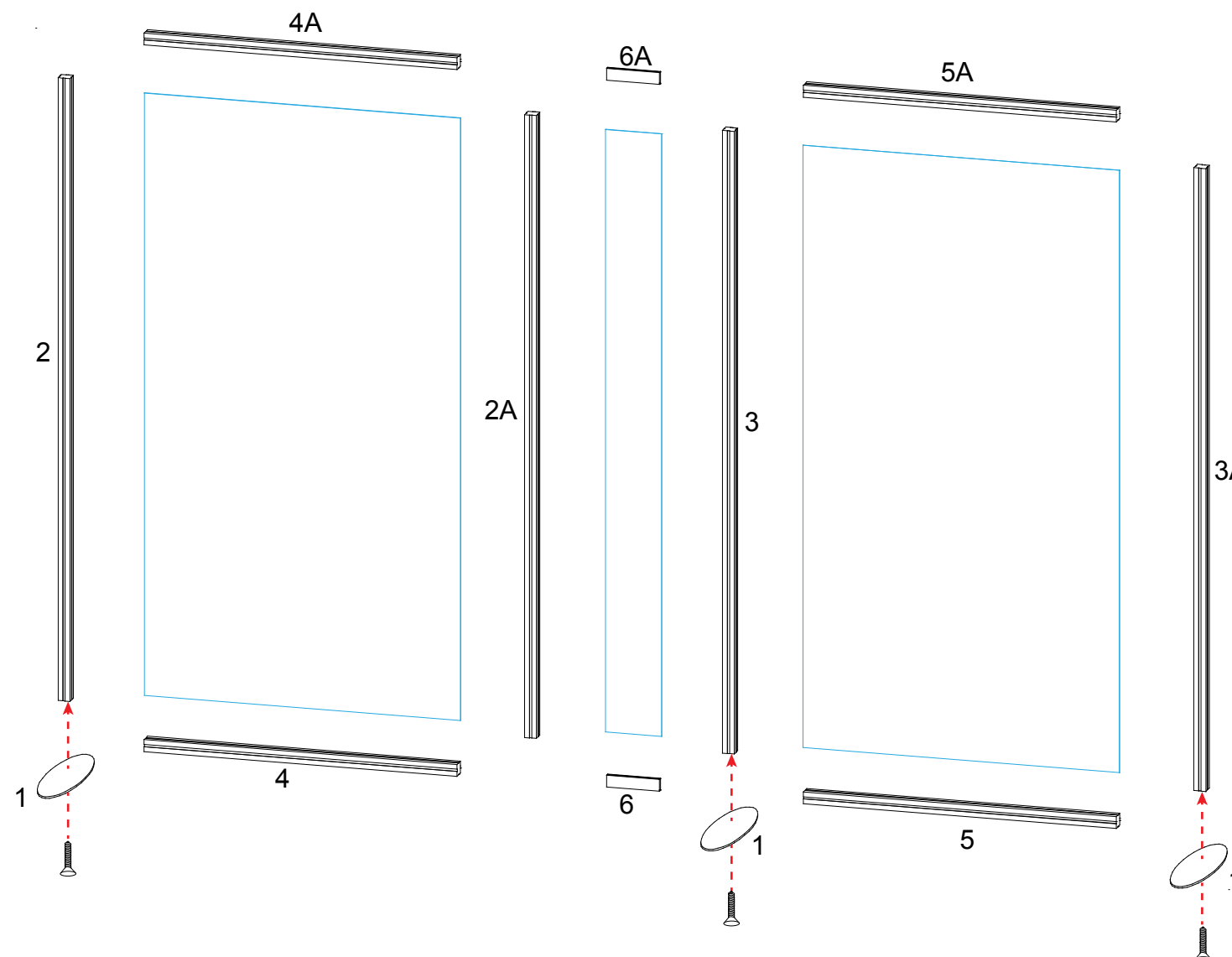
- 1) Locate channels along the edges of extrusions
- 2) Insert graphic corners first into channels then center point of graphic into channels. Allows for proportional fit around the perimeter of the extrusion.
- 3) Working from center to corner, slide silicon edge on graphic into channel.
- 4) After all edges of graphic have been inserted into channels, step back and assess graphic fit, make adjustments where needed.



| Item | Qty. | Description |
|------|------|----------------------------|
| 1 | 3 | |
| 2/2A | 1/1 | 95" Vertical Extrusion |
| 3/3A | 1/1 | 95" Vertical Extrusion |
| 4/4A | 1/1 | 47.5" Horizontal Extrusion |
| 5/5A | 1/1 | 47.5" Horizontal Extrusion |
| 6/6A | 1/1 | 8" Horizontal Extrusion |

Steps:

- 1) Connect Baseplates [1] to ends of Verticals [2, 3, 4A] as shown.
- 2) Connect Horizontals [4, 4A] to Vertical [2] and insert Infill between [4, 4A].
- 3) Connect Vertical [2A] to [4, 4A].
- 4) Connect Horizontals [6, 6A] to Vertical [2A], then insert Infill between [6, 6A].
- 5) Connect Vertical [3] to [6, 6A].
- 6) Connect Horizontals [5, 5A] to [3], then insert Infill between [5, 5A].
- 7) Connect Vertical [3A] to [5, 5A].

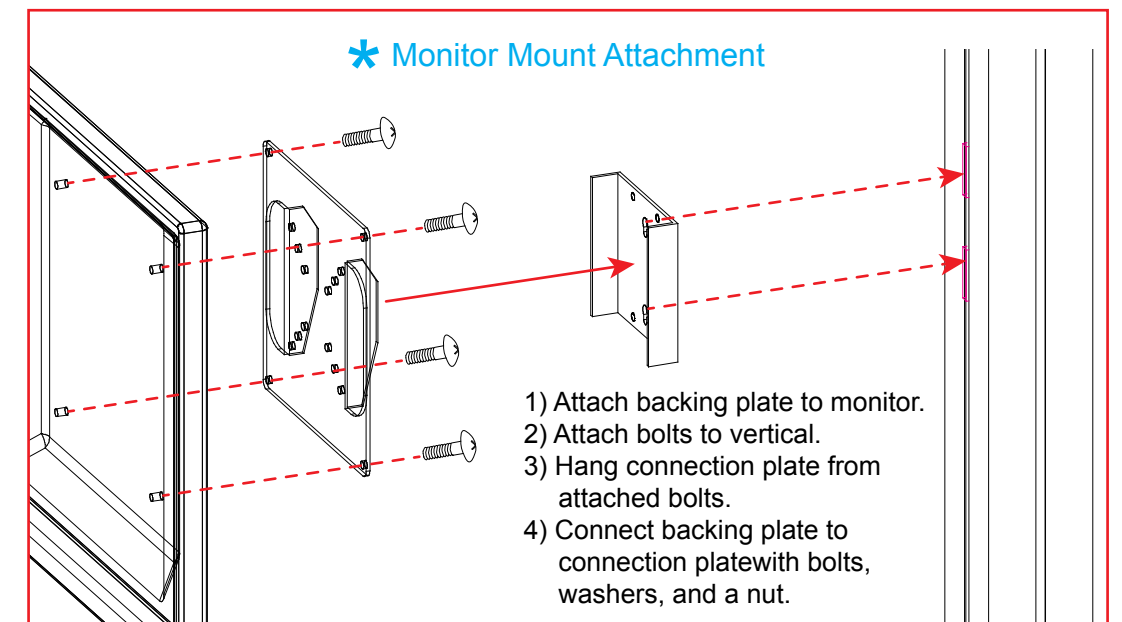
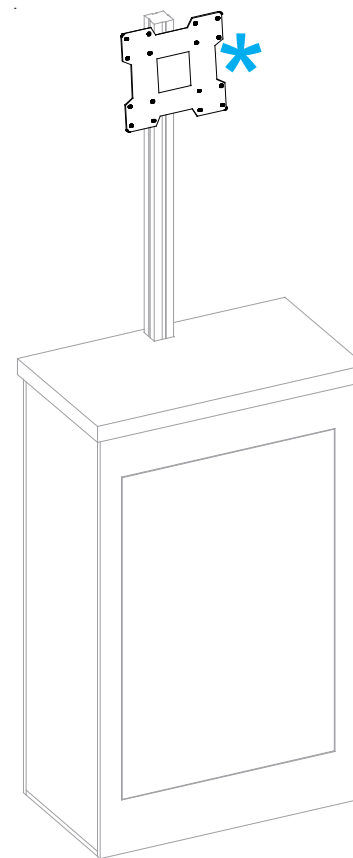
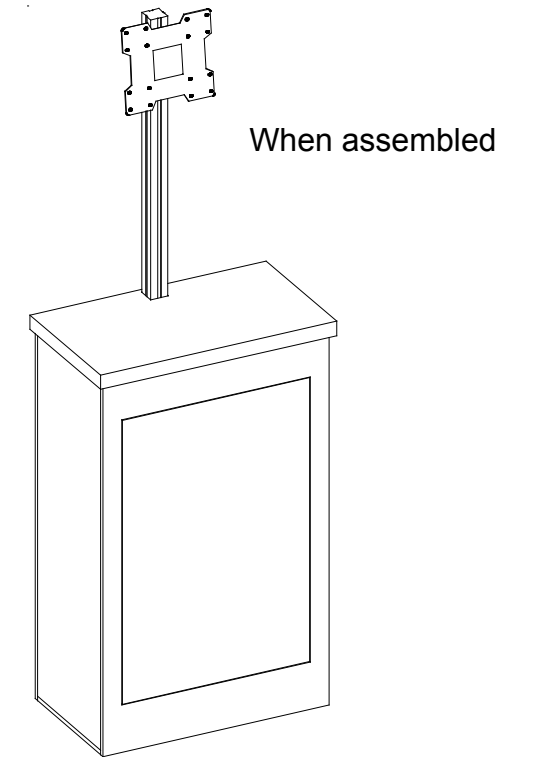
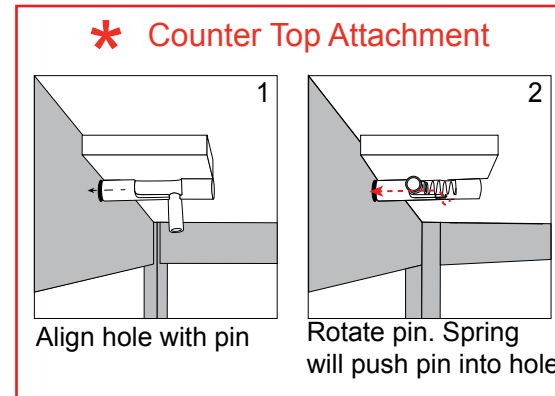
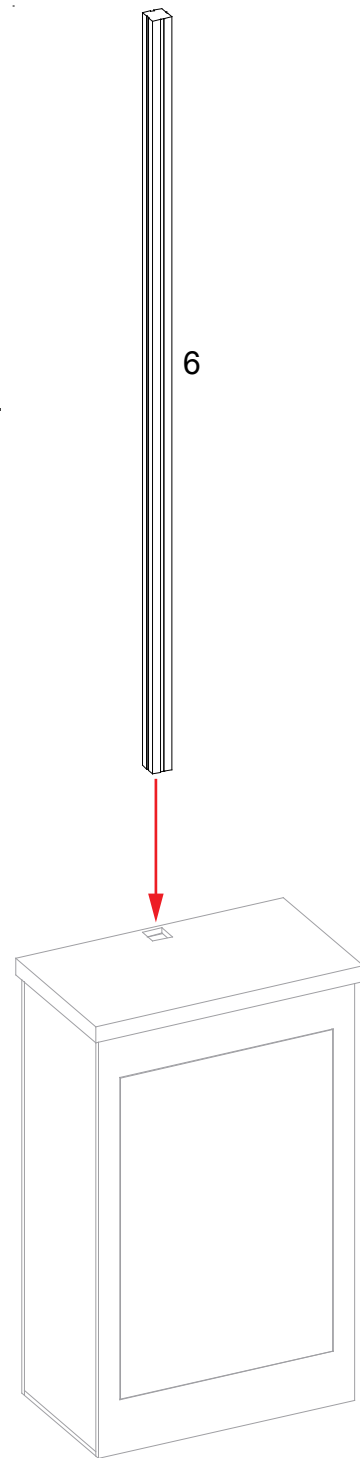
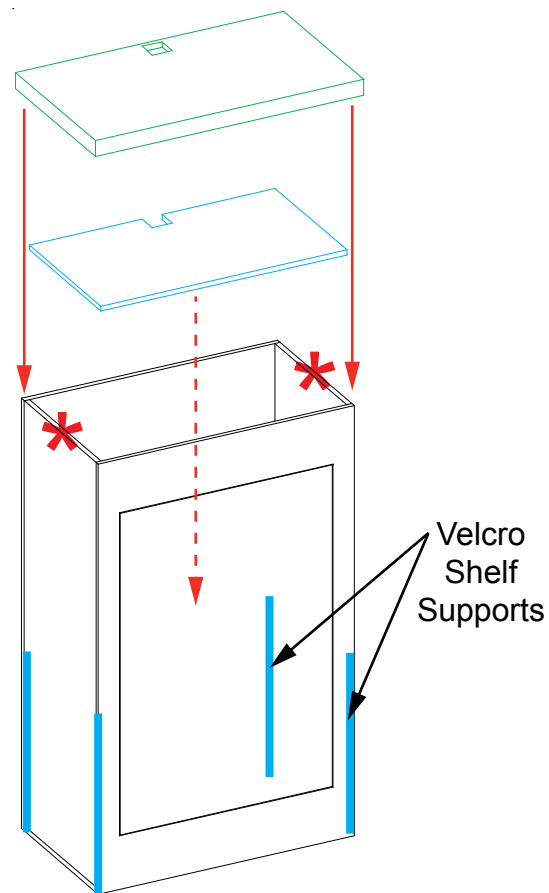


When assembled

| Item | Qty. | Description |
|------|------|------------------------|
| 6 | 1 | 70" Vertical Extrusion |

Steps:

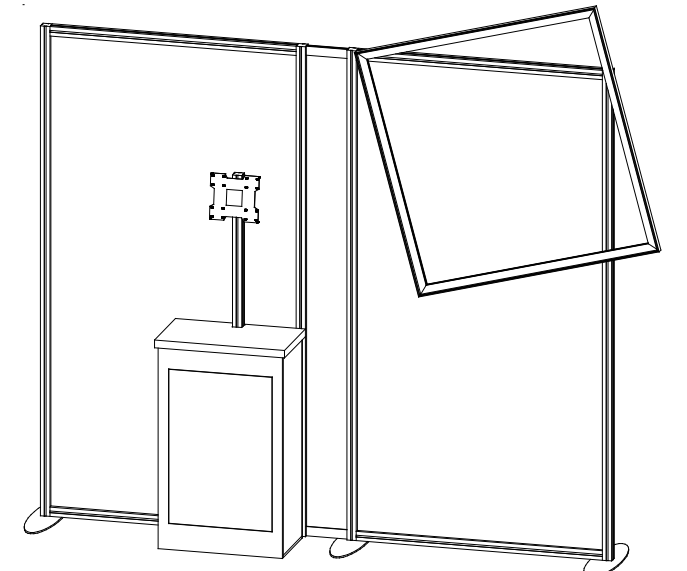
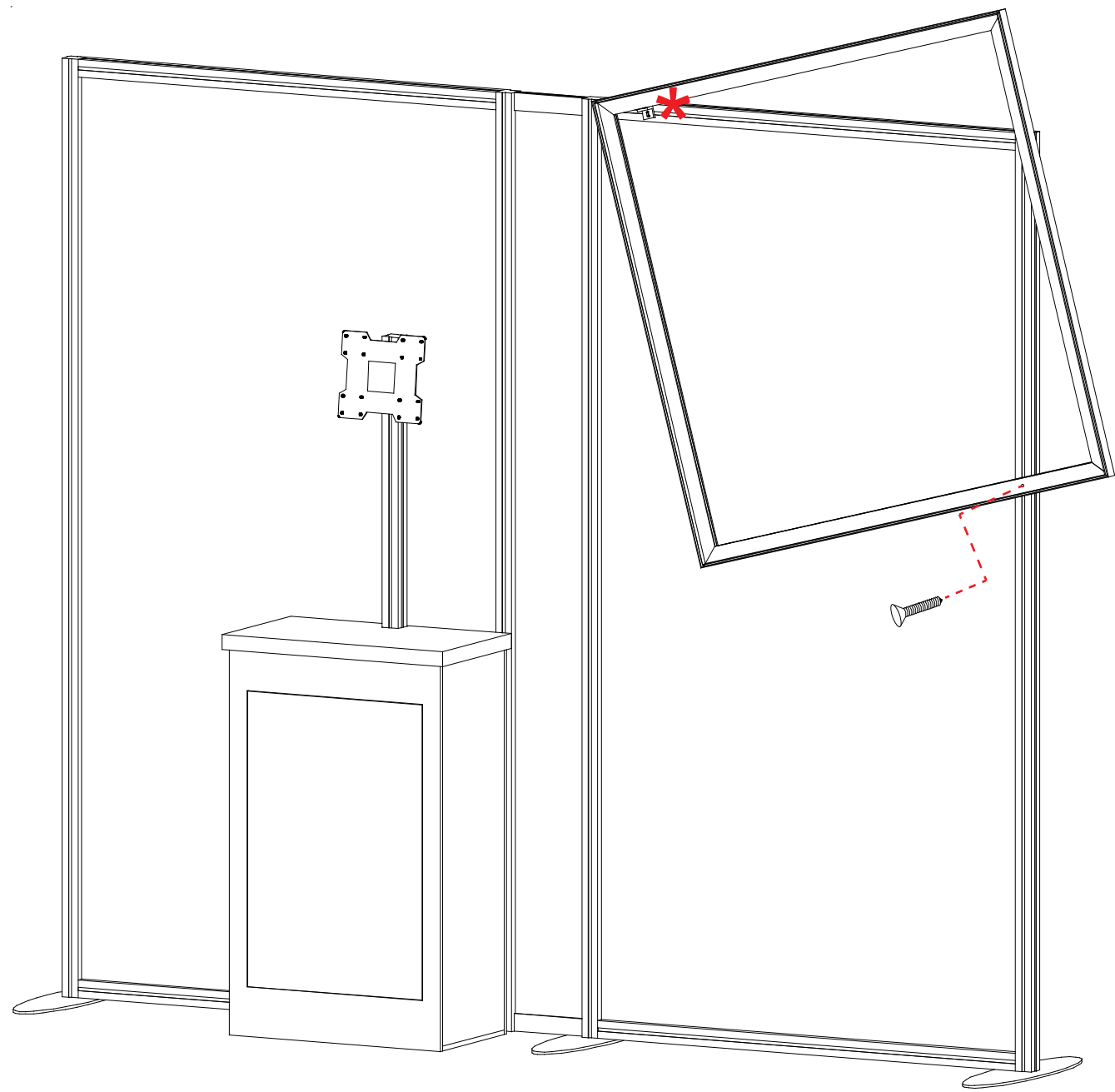
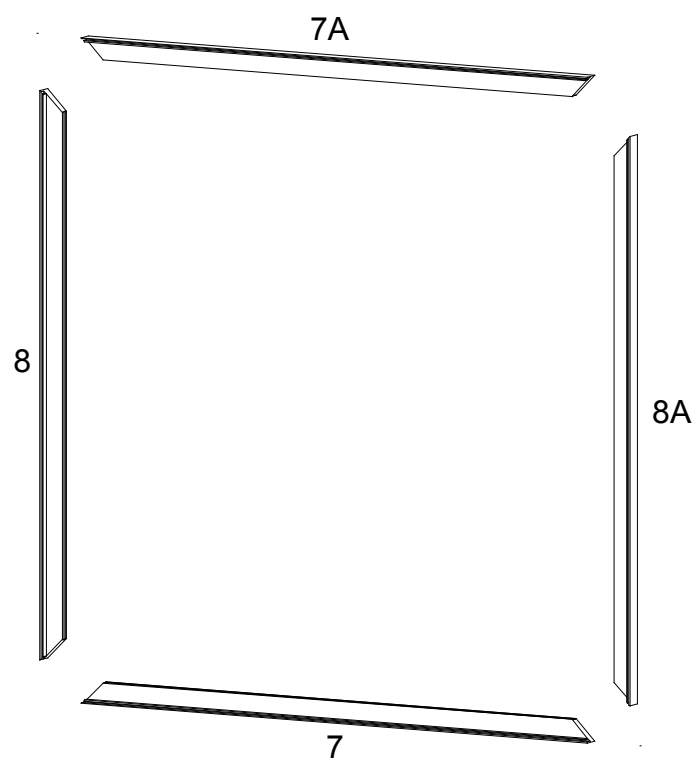
- 1) Install Shelf supports using **Velcro** on the inside where indicated.
- 2) Slide Shelf inside counter and set in place on the shelf supports.
- 3) Place Countertop onto assembled base and lock into place.
See **Counter Top Attachment** detail.
- 4) Lower vertical [6] down through the hole in the counter and set in place.
- 5) Attach Monitor Mount to vertical [6] where indicated.
See **Monitor Mount Attachment** detail.



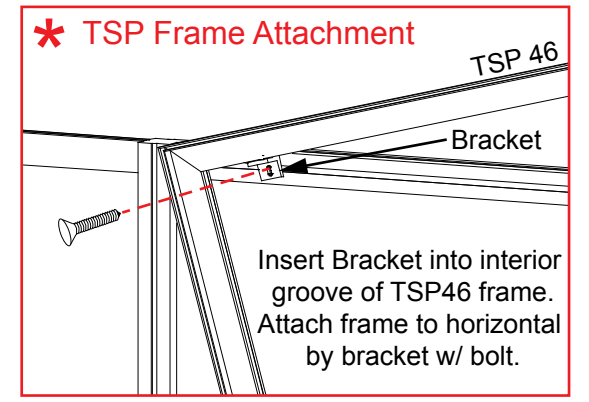
| Item | Qty. | Description |
|------|------|--------------------------|
| 7/7A | 1/1 | 48" Horizontal Extrusion |
| 8/8A | 1/1 | 48" Vertical Extrusion |

Steps:

- 1) Connect Horizontals [7, 7A] to Verticals [8, 8A] together at corners as shown.
- 2) Connect assembled frame to backwall as shown using bolts. See **TSP Frame Attachment** detail.



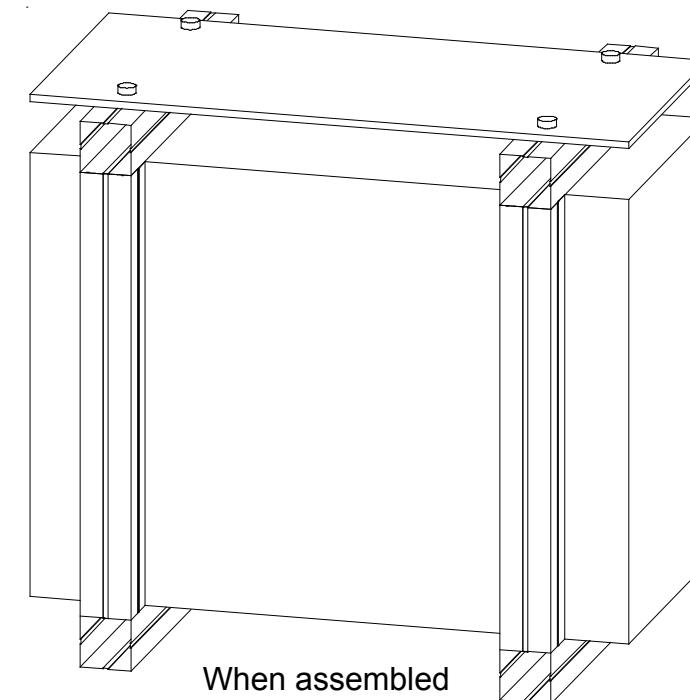
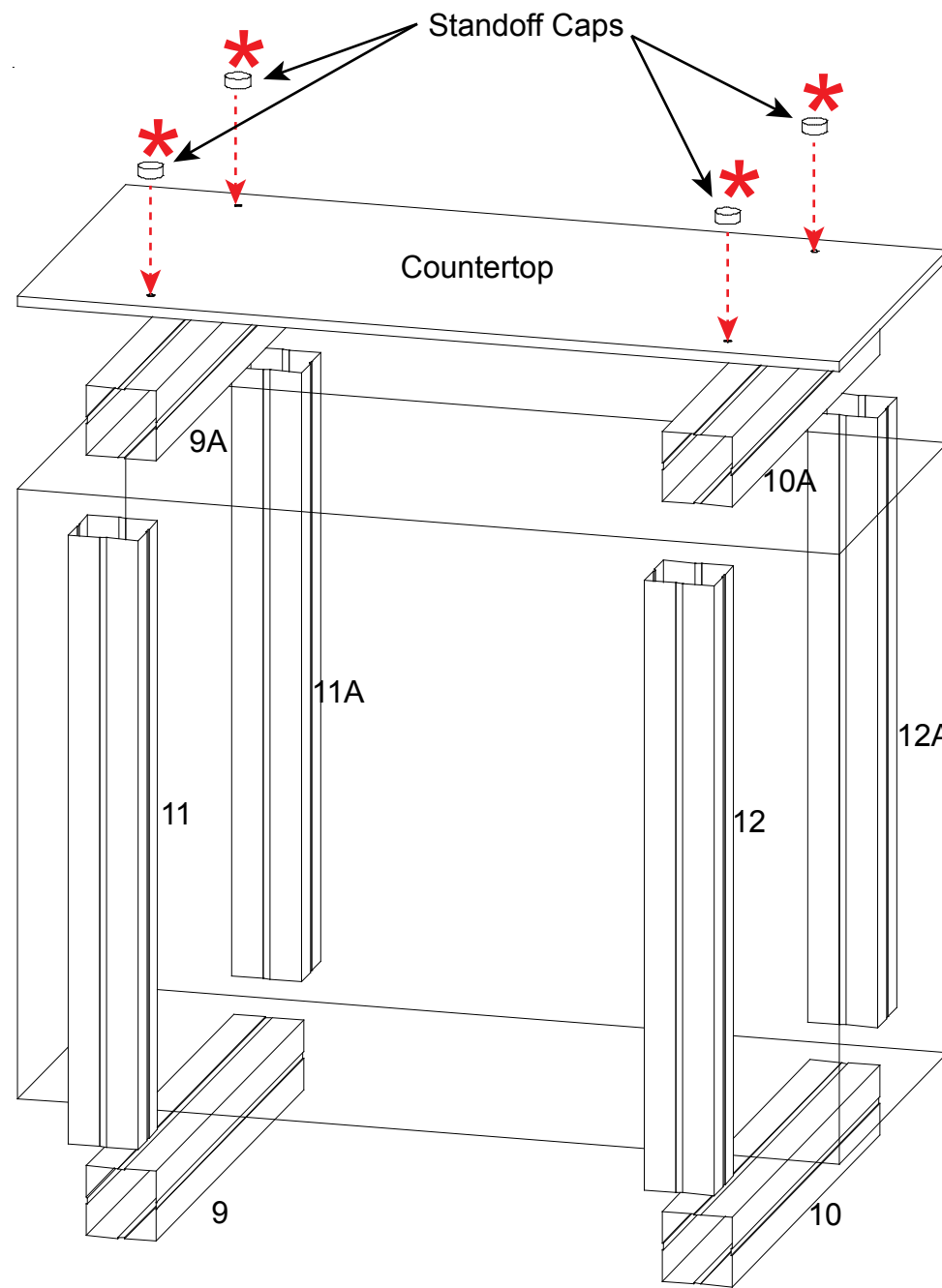
When assembled



| Item | Qty. | Description |
|--------|------|------------------------------|
| 9/9A | 1/1 | 27.166" Horizontal Extrusion |
| 10/10A | 1/1 | 27.166" Horizontal Extrusion |
| 11/11A | 1/1 | 31.334" Vertical Extrusion |
| 12/12A | 1/1 | 31.334" Vertical Extrusion |

Steps:

- 1) Attach verticals [11, 11A & 12, 12A], between horizontals [9, 9A & 10, 10A] as shown.
- 2) Attach Countertop to assembled base with Standoff Caps as shown.



*** Countertop Attachment**

The diagram shows a close-up of a **V20** connector being attached to a **Ceiling**. A **Cap** is shown being placed over the connector. A red arrow points to the **V20** label.

Slide connector with stud into groove of extrusion and twist to secure in place. Attach ceiling with cap as shown.