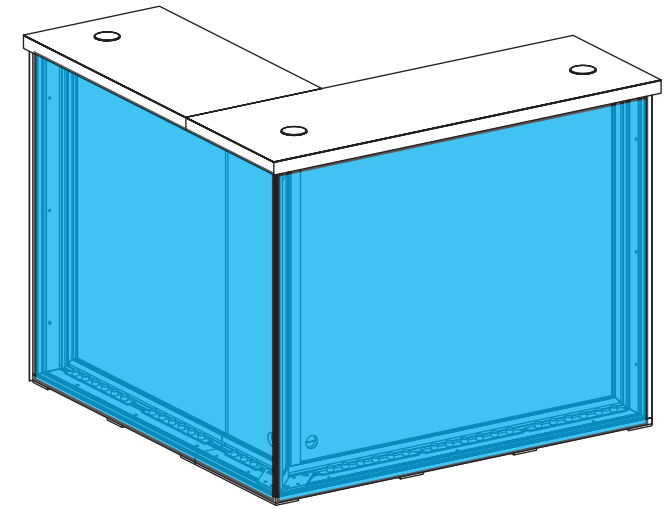
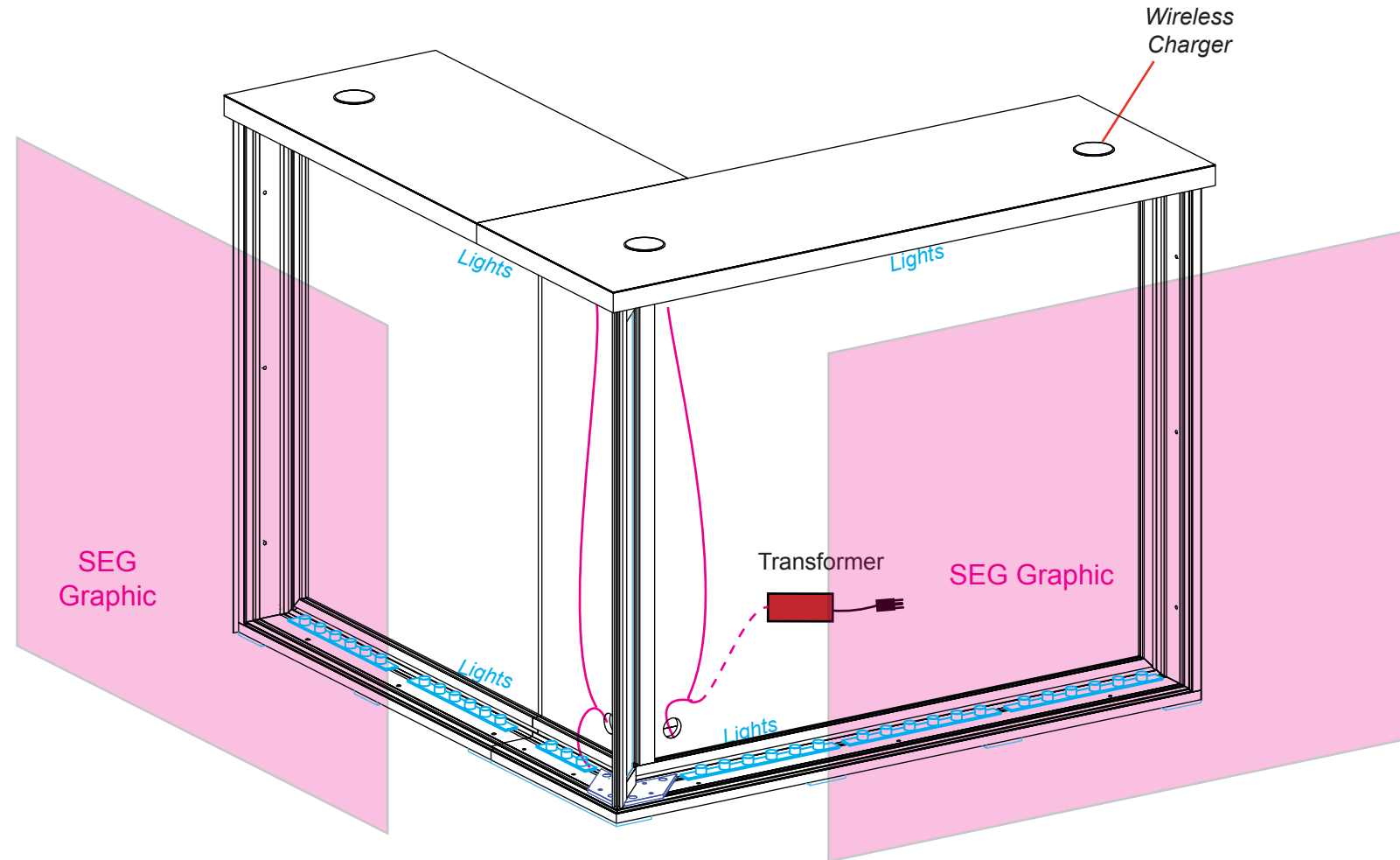
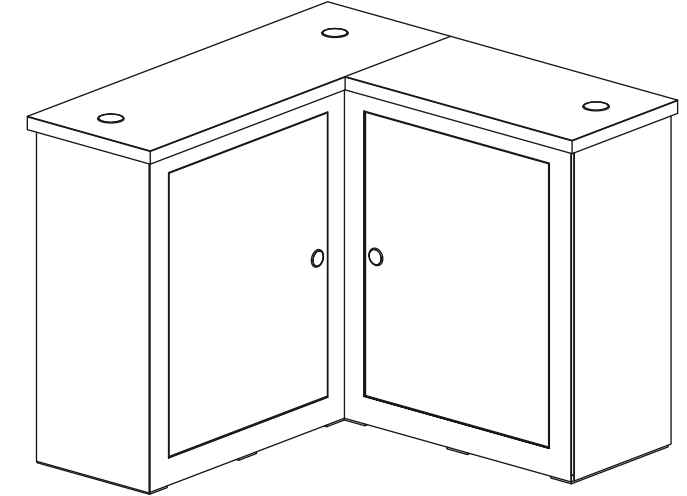


Steps:

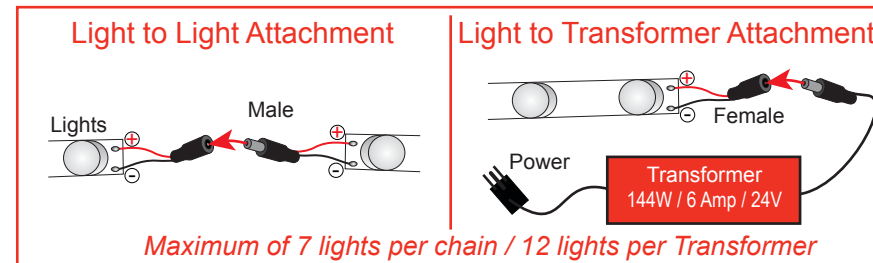
- 1) Connect power cords to Supernova lights in front & side lightboxes.
- 2) Apply SEG graphics to front & side frame of counter.
- 3) Connect power to charging ports in counter top.



FRONT VIEW



BACK VIEW

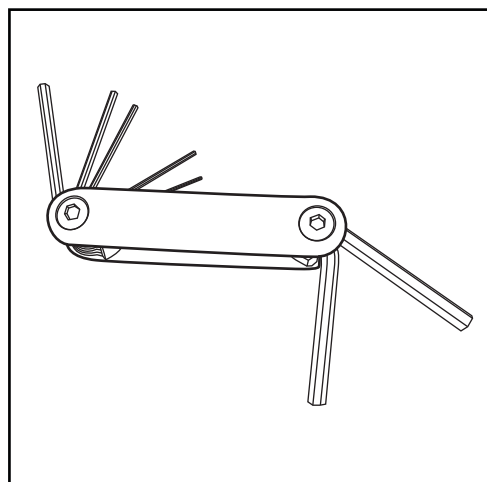


*Keep counter assembled for shipment.
DO NOT DISASSEMBLE.*

SETUP INSTRUCTIONS

General Setup Instructions

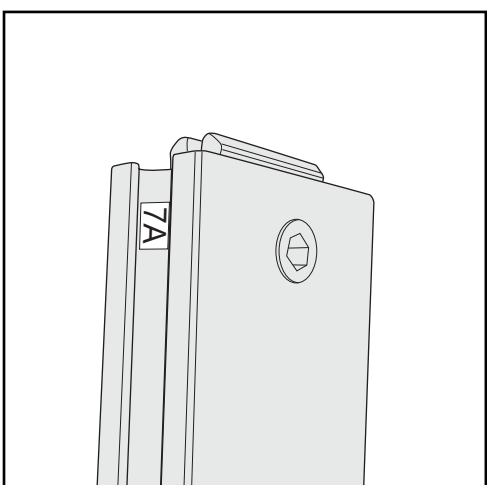
- Read entire setup instruction manual prior to unpacking parts and pieces.
- The setup instructions are created specifically for this configuration.
- Setup instructions are laid out sequentially in steps, including exploded views with detailed explanation for assembly.



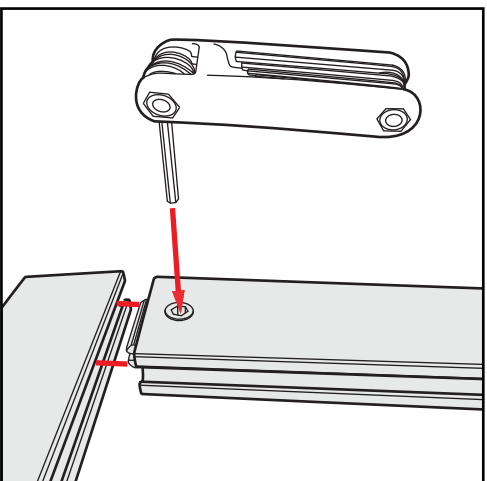
Hex Tool - Essential for Assembly

Cleaning & Packing

- For Cleaning Metal, Plex, & Laminate Parts: Use a **MILD NON-ABRASIVE** cleanser and soft cloth/paper towel to clean all surfaces.
- Keep exhibit components away from heat and prolonged sun exposure.
- **Heat and UV exposure will warp and fade components.**
- Retain all provided Packing Materials. All provided packing materials are for ease of repacking & component protection.



Part Identification - Numbering



Extrusion & Lock Connection

Disassembly

- For loss prevention, tighten all set screws and locks during disassembly.



WARNING



DO NOT USE POWER TOOLS

ALL CONNECTIONS MUST BE TIGHTLY SECURED



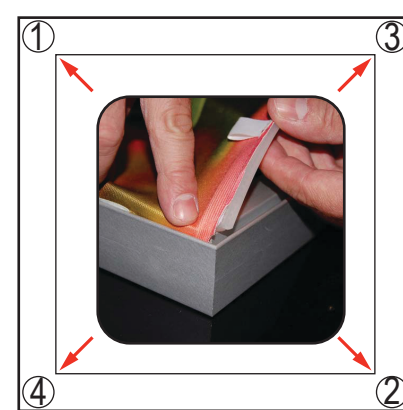
Install video:



SEG Graphic Installation in 3 Steps

The Perfect Fit

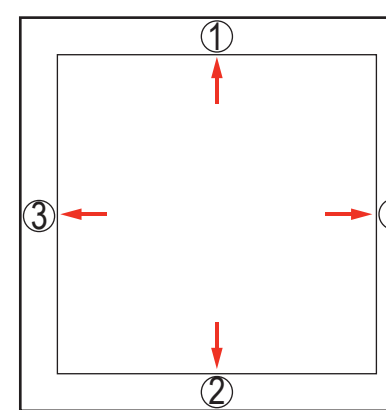
STEP 1: Attach Corners



Always insert graphic into each alternate corner, then into the sides of the frame. Otherwise the graphic will not fit into the frame correctly.

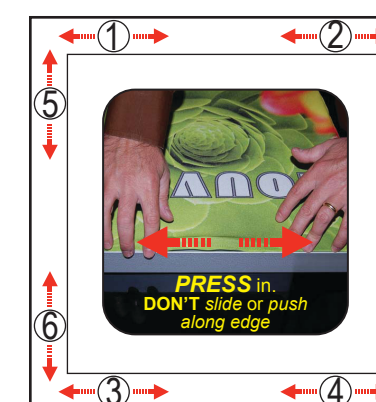
Insert narrow side of silicone welt into the channel at corner 1, with fabric to the outside. Repeat for opposite corner 2, then corner 3, then corner 4.

STEP 2: Attach Middle



Once corners are attached, press the middle of edge 1 into the channel. Then press middle of edge 2 into the channel on opposite side. Repeat with edge 3 & 4.

STEP 3: Attach Sides



Once the middle of sides are attached, fully press the silicone welt into the channel, between center and corner at location 1. Repeat the process between center and corner at location 2.



To remove graphic from the frame, locate the fabric pull tab. Gently pull on the tab to remove the graphic.

*Retain all packing materials.
DO NOT DISCARD.*

CRATE PACKING

• Assembly-Disassembly •
*If frames or parts are already assembled, do not
dissassemble. Retain Assemblies when re-packing.*