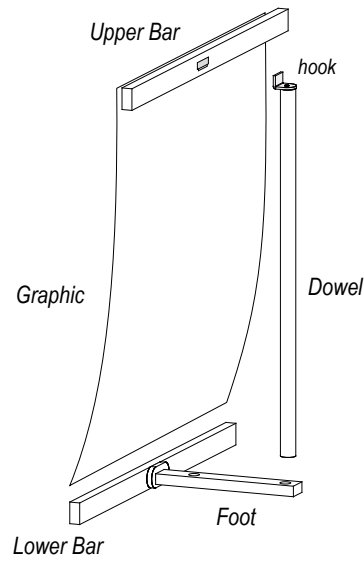


**Parts List:**



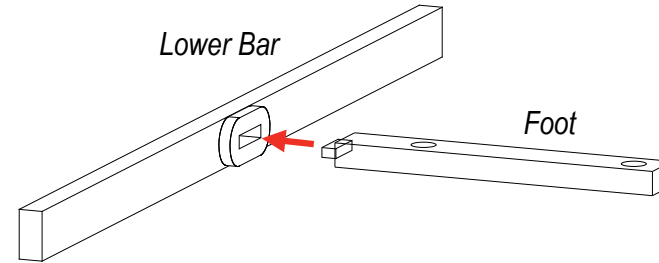
BACK VIEW

Item	Qty.	Description
--	1	31.5"w Lower Bar
--	1	15.375" Foot
--	1	Dowel
--	1	31.5"w Upper Bar
--	1	Graphic
--	1	Canvas bag

**Retain all packing materials.  
DO NOT DISCARD.**

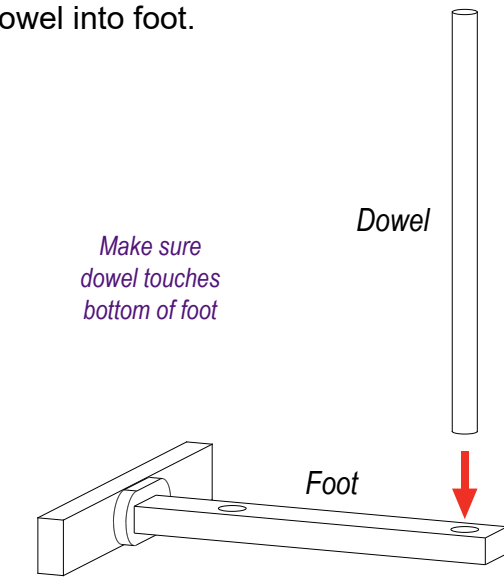
**Assembly:**

① Insert foot into lower bar.



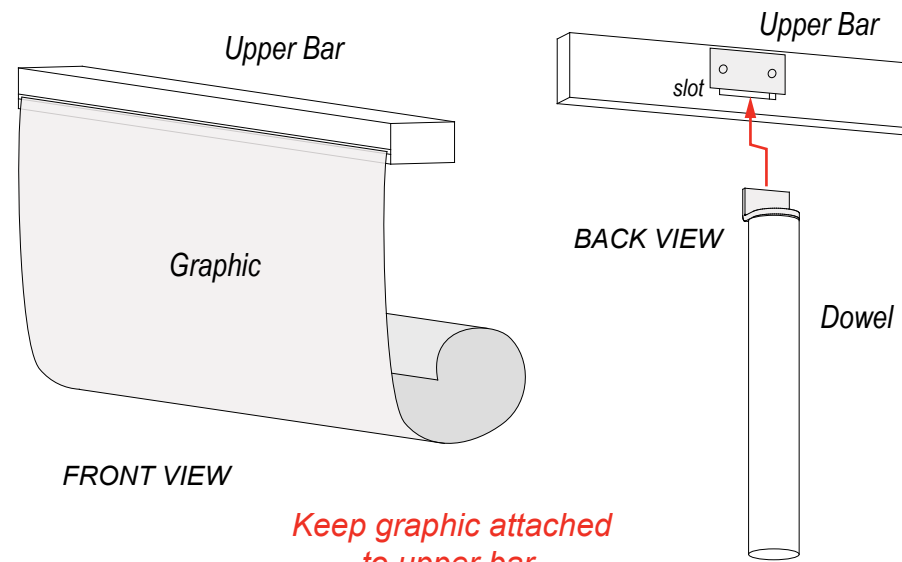
BACK VIEW

② Insert dowel into foot.



BACK VIEW

③ Unroll graphic from upper bar. Lift up bar, then hook dowel into slot on back of upper bar.

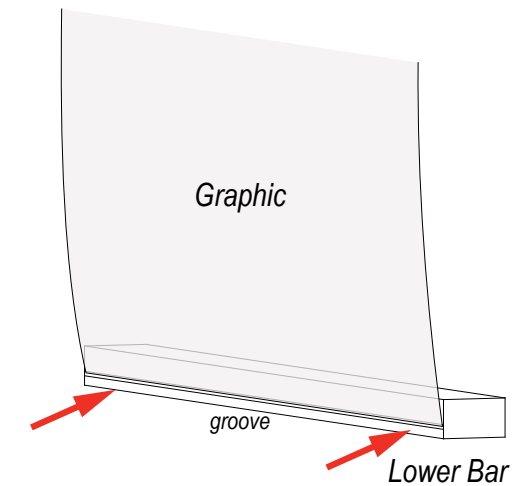


FRONT VIEW

BACK VIEW

**Keep graphic attached to upper bar.**

④ Attach the graphic to groove on lower bar.



FRONT VIEW

**Graphic Installation**



Starting at one end of lower bar, insert silicone welt on back of graphic into the front channel.

Fully press the silicone welt into the channel, moving across the lower bar from end to end.

Once the welt is fully inserted, smooth out as needed.



**Disassembly:**

- 1) Remove bottom silicone welt from groove of lower bar.
- 2) Roll the graphic around upper bar, print side out.
- 3) Detach feet from lower bar & remove dowel.



FRONT VIEW

**Assembled banner stand**



BACK VIEW



Keep parts in fabric bag provided.

**SETUP INSTRUCTIONS**